

MONARFLOOR® ACOUSTIC DIRECT TO JOIST DECK SYSTEMS: INSTALLATION INSTRUCTIONS



Before You Start

These instructions applicable to the installation of the following Monarfloor® Acoustic Deck Systems:

- **Monarfloor® Structure Deck**
- **Monarfloor® Tri-Deck**

Tools & equipment required

- 1 litre of Monarfloor® Acoustics Adhesive for every 21.5m² of deck (approx).
- **Note:** Adhesive should be applied in well vented rooms.
- 1 linear metre of Monarfloor® Flanking Band for every 1m² of flooring.
- Utility knife and straight edge.
- Joinery hand/power tools.

Check sub-floor is suitably prepared

- Ensure the surfaces are structurally sound, clean and dry.
- All internal partitions should be installed and built of the joists.
- Kitchens and bathrooms should also be built of the joists (see Monarfloor Generic Kitchen & Bathroom Detail Drawings).
- Ensure the correct mineral wool insulation has been packed tightly between the floor joists.
- Support the ends of boards with noggins if required.

Care of materials

Materials must be kept in a dry storage area at all times.

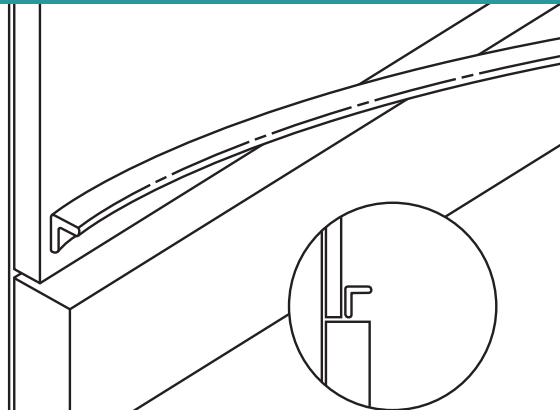
Working safely

Working on any building site can be a hazardous activity. Only suitable persons having appropriate competence, training and physical fitness should be allowed onsite.

Personal Protective Equipment (PPE) must be worn at all times.

Installing a Monarfloor® Acoustic Deck System

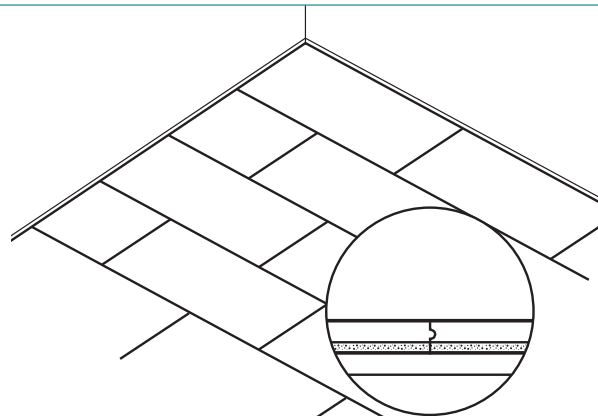
Step 1



Flank all the perimeter with Monarfloor® Flanking Band.

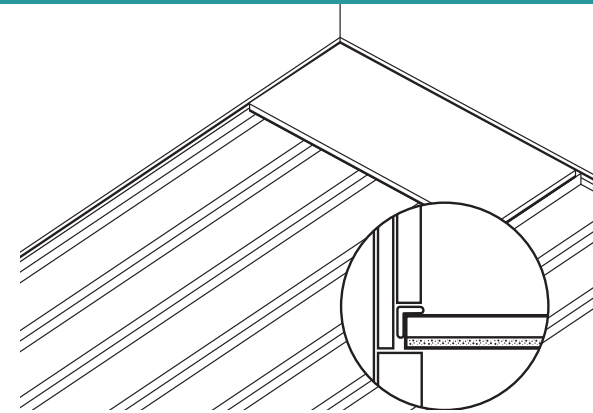
Note: For every 1m² of flooring you will need 1 linear metre of Monarfloor® Flanking Band.

Step 3



Continue to lay the Monarfloor® Acoustic Deck over the floor joists in a broken bond pattern, ensuring all joints are supported and glued with Monarfloor® Adhesive.

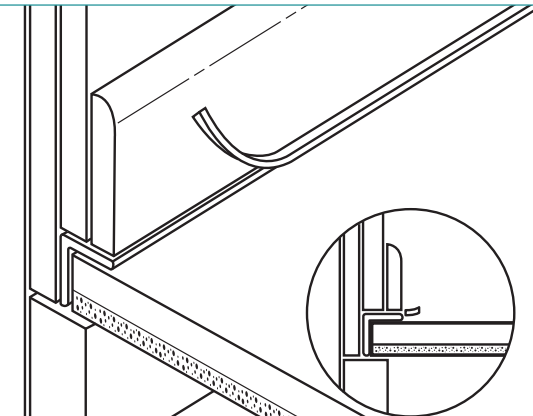
Step 2



Starting from the furthest point out of each room, lay the first Monarfloor® Acoustic Deck perpendicular to the floor joists, butting the edges tight to the Monarfloor® Flanking Band.

Apply Monarfloor® Adhesive to tongue and groove panel joints

Step 4



When the acoustic floor is fully laid install skirting and trim off excess Monarfloor® Flanking Band.

Where specified install the appropriate acoustic ceiling beneath to complete the installation.