

MONARFLOOR® TRANQUILT®: INSTALLATION INSTRUCTIONS



Before You Start

Both Monarfloor Tranquilt and Monarfloor Acoustic Adhesive should be stored in a dry watertight environment prior to installation, and segregated to ensure they are not damaged.

Tools & equipment required

One can of Monarfloor Acoustic Adhesive for every roll of Tranquilt. Utility knife and straight edge adhesive should be applied in well vented rooms.

Check sub-floor is suitably prepared

Ensure the floor surface is structurally sound, clean, dry and has no gaps where slabs are joined. Level as necessary prior to laying Tranquilt, allow for thresholds at main entrances.

Care of materials

Materials must be kept in a dry storage area at all times.

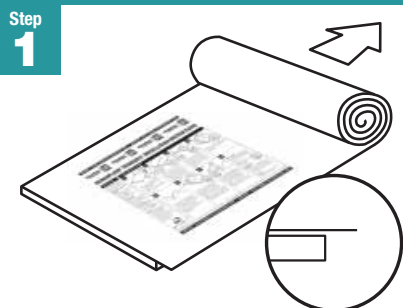
Working safely

Good and safe working practices should be followed at all times, details and guidelines for which can be obtained from the Health & Safety Executive.

■ **Handling** – care should be taken when handling and, as Tranquilt is manufactured using polyurethane and polyether polymers, a **no smoking** policy should be enforced.

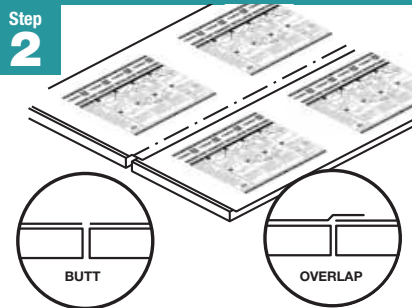
■ **Cutting** – always cut Tranquilt using a suitable straight edge and utility knife. Appropriate PPE must be worn and adequate ventilation or extraction provided where work is being carried out.

Installing Monarfloor® Tranquilt®



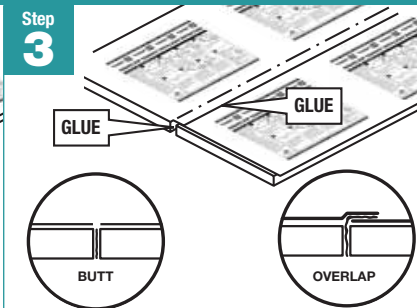
Start to roll Monarfloor Tranquilt out over the concrete sub-floor with the edge overlapping flap uppermost and away from the wall edge.

Note: The overlapping flap is integral to the acoustic performance and must be to the top face.

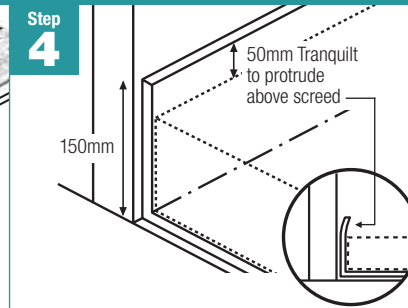


Continue to roll the Tranquilt out evenly over the floor, butting all edges tightly together.

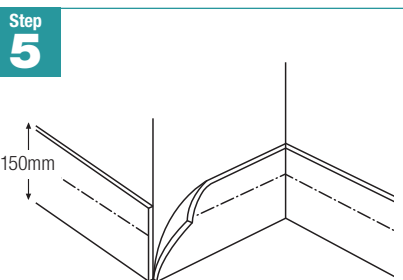
Note: It is recommended that all the Tranquilt is loose laid over the whole floor area to ensure it is laid correctly and all upstands are marked out (a batten or straight edge can help act as a marker to provide the minimum upstand of 150mm).



Once satisfied the Tranquilt is positioned correctly, including allowance for upstands (a minimum of 50mm of Tranquilt must protrude once screed has been laid), adhere all joints, overlapping flap and butt (straight line) with Monarfloor Acoustic Adhesive making sure it's pressed firmly into place.

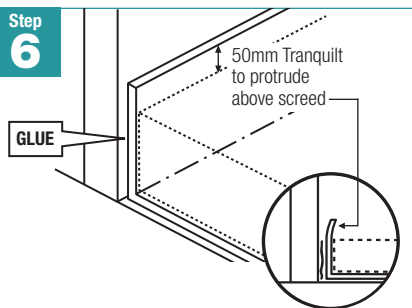


Turn all perimeter edges up, allowing for a minimum of 50mm of Tranquilt to protrude above the top of the screed once it has been poured.



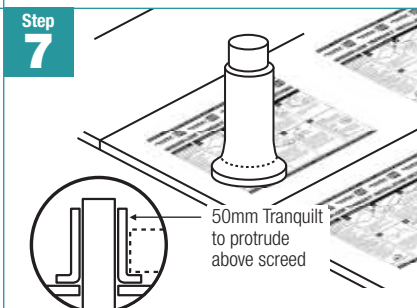
At internal and external perimeter corners mitre the edges of the Tranquilt together to suit the profile of the corner, ensuring that the Tranquilt butts tightly together with no gaps, especially where the screed could make contact with the structure.

Note: It is recommended that corners are cut and formed dry to ensure they fit tightly together. Prior to adhering with adhesive all cut joints must be bonded together with adhesive.



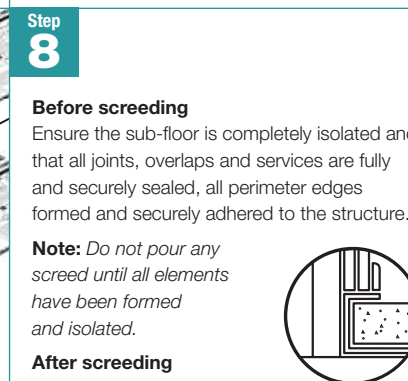
Adhere the Tranquilt to the structure at all perimeter edges and internal and external corners using Monarfloor Acoustics Adhesive, leaving 50mm of Tranquilt free of adhesive to protrude above the top of the screed once it has been poured.

Note: Work around the room perimeter applying a band of adhesive to both wall and material, allow to 'tack off' and bond together, adjustments can be made within the first 30 minutes to one hour. Do not fully bond the material up-stand as it needs to be folded back on itself to isolate the wall linings and skirting from the finished screed.



All service pipes and ducting that penetrate the floor must be isolated with Tranquilt. This should be done once the Tranquilt to the main sub-floor has been laid. Wrap the service pipe or ducts with Tranquilt, and adhere using the same method as for the perimeter up-stands. Also bond to the Tranquilt laid over the main sub-floor. Allow approximately 150mm up-stand.

Note: The adhesive will be sufficiently cured within approximately one hour, dependant on working conditions and ambient temperature, after which time the finished screed can be poured.



Before screeding
Ensure the sub-floor is completely isolated and that all joints, overlaps and services are fully and securely sealed, all perimeter edges formed and securely adhered to the structure.

Note: Do not pour any screed until all elements have been formed and isolated.

After screeding

Skirtings

All skirting must be isolated from the floor surface. Before installation of the skirting, fold the excess Tranquilt underneath the skirting before fixing. Remove any excess Tranquilt flush to the skirting face using a sharp knife.

Ceilings

It is good practice, and to obtain best performance to install all the wall linings prior to the ceiling boards.