

CI/SFB	July 2017
Uniclass	
Issue 01	

Monarfloor Wall Cap 200 System

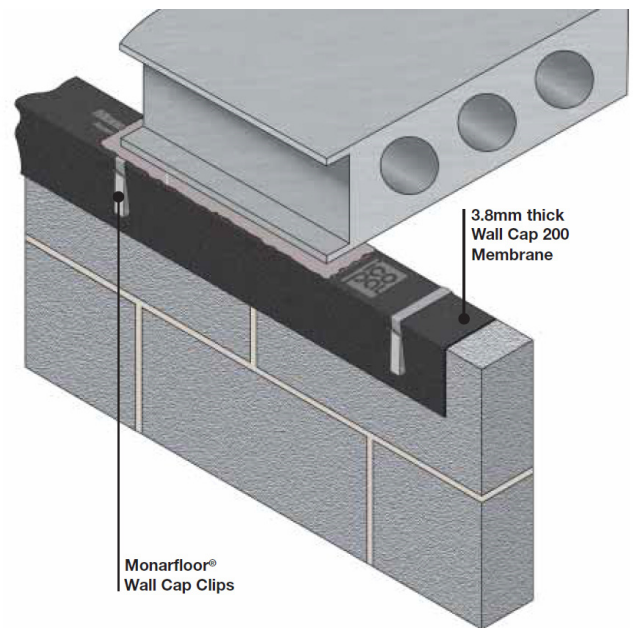
Sound Protection

Monarfloor Wall Cap 200 System

Acoustic isolation and energy insulating system for flanking walls within multi-rise developments. Monarfloor Wall Cap 200 isolates the load-bearing leaves from the precast floor plank, reducing the acoustic flanking sound transmission within the structure. Monarfloor Wall Cap 200 also ensures the integrity of acoustic treatments for party floors.

Features and Benefits

- Isolates the precast floor plank from the load bearing flanking wall.
- Reduces the flanking sound transmission energy within the structure.
- Superior acoustic isolation and damping performance.
- Can be used as an isolator / innovative flanking detail with any acoustic flooring treatment.
- Easily installed within current standard wall constructions.
- Significantly improves the acoustic isolation of the building when used in conjunction with other Monarfloor acoustic systems for party walls and floors.
- Ensures the robustness of acoustic systems for party walls and party floors.
- Demonstrates a significant cost saving and flexibility in the design and build of the building.
- Surpasses performance requirements of Approved Document E of the Building Regulations.
- Can be used to improve the acoustic performance and gain credits towards The Code for Sustainable Homes.
- 3-4 cost-neutral credits for the code for Sustainable Homes when used with other Monarfloor acoustic systems based on PCT test evidence (200mm floor planks required for 4 credits).



System Kit

Monarfloor Wall Cap 200 is available as a system kit comprising 1 roll of Wall Cap membrane and 15 Wall Cap clips.

Product Data

Composition	Wall Cap Membrane – Bitumen composite with acoustically rated fillers and fire retardant. Wall Cap Clips – Structural grade galvanised steel.
Sizes	Wall Cap Membrane – 200mm wide x 8m long x 3.8mm thick rolls. Wall Cap Clips – 15mm wide x 104.9mm long x 75mm deep.
Kit Weight	8kg



Wall cap Clips – retainst the Wall cap membrane securely into place.



EN 13707 15 0086-CPD-505779

Ref: ICO1814

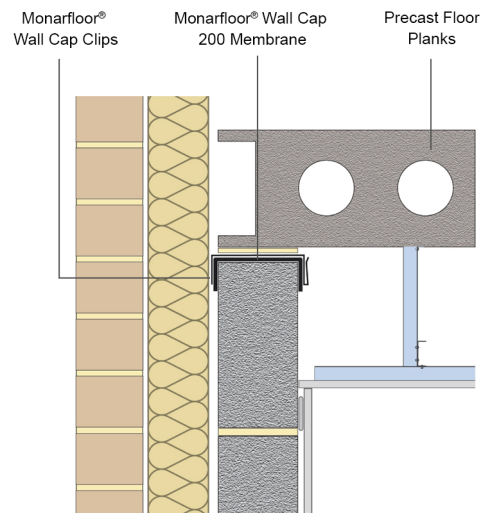
CI/SFB	July 2017
Uniclass	
Issue 01	

Monarfloor Wall Cap 200 System

Sound Protection

Installation at a glance

- Build the flanking walls to the desired height.
- Roll the Wall Cap 200 membrane over the masonry inner leaf along its length, return the overhangs down the face of the masonry blocks and retain in place with the Wall Cap clips located at approx. 600mm centres.
- For jointing and detailing, butt the Wall Cap membrane tight and locate further Wall Cap clips at these junctions.
- Wall Cap 200 should be used for flanking walls and Wall Cap 400 for cavity party walls.
- Once all walls have been isolated, install the precast floor planks in the usual manner.
- All wall /floor junctions must be isolated in the same manner as the build continues upwards.
- Wall Cap 200 membranes can be overlapped where necessary.

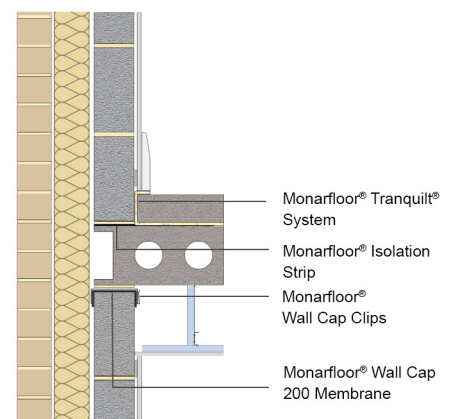


Monarfloor® Wall Cap 200 System installed on a flanking wall.

For optimum acoustic isolation, the party cavity wall should have Monarfloor Bridgestop built in at every storey and flanking walls isolated from the precast floor slab with Monarfloor Isolation Strip.

Related products

- **Monarfloor® Wall Cap 400 System** – acoustic isolation system for separating party cavity walls within multi-rise developments.
- **Monarfloor® Bridgestop® System** – acoustic isolation system for party walls on raft foundations or continual slab.
- **Monarfloor® Tranquilt® System** – lightweight acoustics isolation system for robust under screeds.
- **Monarfloor® Isolation Strip** – acoustic strip designed to reduce sound transmission through timber and concrete floors.



Monarfloor® general detail showing 3-4 credit solution for the Code for Sustainable Homes (using 200mm precast planks).

Technical Support

Monarfloor Acoustic Systems offers FREE technical advice and assistance on all aspects of acoustic systems. We can also undertake site visits to provide contractors with advice and assistance at every stage of a project from concept to completion.

For full details refer to individual Monarfloor Product Datasheets.



EN 13707 15 0086-CPD-505779

Ref: ICO1814