

MONARFLOOR® TRI-BOARD OVERLAY SYSTEM: INSTALLATION INSTRUCTIONS



Before You Start

These instructions are applicable to the installation of Monarfloor® Tri-Board Overlay System:

Tools & equipment required

- 1 litre of Monarfloor® Acoustics Adhesive for every 21.5m² of deck (approx) or a good quality construction adhesive.
- Note:** Adhesive should be applied in well vented rooms.
- 1 linear metre of Monarfloor® Flanking Band for every 1m² of flooring.
- Utility knife and straight edge.
- Joinery hand/power tools – with carbon-tipped cutting blades.

Check sub-floor is suitably prepared

- Ensure the surfaces are structurally sound, clean and dry.
- All internal partitions should be installed and built of the sub-floor.
- Kitchens and bathrooms should also be built of the sub-floor (see Monarfloor Generic Kitchen & Bathroom Detail Drawings).
- Ensure the correct mineral wool insulation has been packed tightly between the floor joists.

Care of materials

Materials must be kept in a dry storage area at all times.

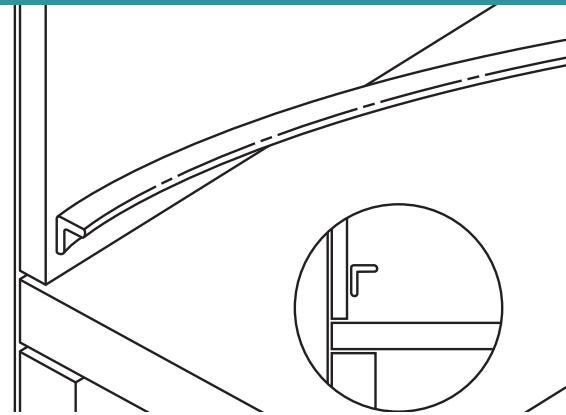
Working safely

Working on any building site can be a hazardous activity. Only suitable persons having appropriate competence, training and physical fitness should be allowed onsite.

Personal Protective Equipment (PPE) must be worn at all times.

Installing a Monarfloor® Tri-Board Overlay System

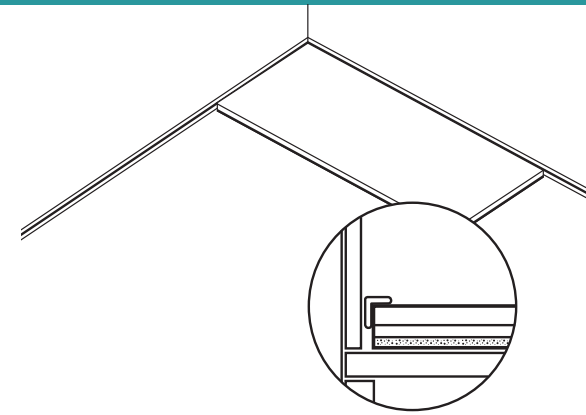
Step
1



Flank all the perimeter with Monarfloor® Flanking Band.

Note: For every 1m² of flooring you will need 1 linear metre of Monarfloor® Flanking Band.

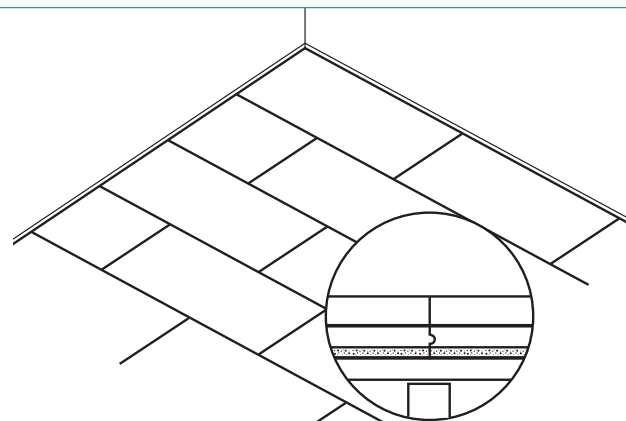
Step
2



Starting from the furthest point out of each room, lay the first Monarfloor® Tri-Board over the sub-floor perpendicular to the floor joists, butting the edges tight to the Monarfloor® Flanking Band.

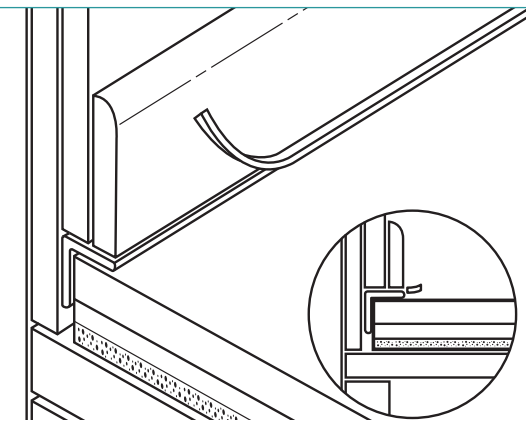
Apply Monarfloor® Adhesive to tongue and groove panel joints. Where a water tight joint is required use a suitable construction adhesive.

Step
3



Continue to lay the Monarfloor® Tri-Board over the existing floor in a broken bond pattern, applying Monarfloor® Adhesive to all tongue and groove panel joints.

Step
4



When the floor is fully covered install skirting and trim off excess Monarfloor® Flanking Band.

Install the correct acoustic ceiling beneath to complete the installation.