

MONARFLOOR® ACOUSTIC TRI-BATTEN: INSTALLATION INSTRUCTIONS



Before You Start

These instructions are applicable to the installation of Monarfloor® Acoustic Tri-Batten.

Tools & equipment required

- 1 litre of Monarfloor® Acoustics Adhesive for every 21.5m² of deck (approx).
- Note:** Adhesive should be applied in well vented rooms.
- 1 linear metre of Monarfloor® Flanking Band for every 1m² of flooring.
- Utility knife and straight edge.
- Staple gun/staples or hammer/nails.
- Joinery hand/power tools.

Check sub-floor is suitably prepared

- Ensure the surfaces are structurally sound, clean and dry.
- All internal partitions should be installed and built of the sub-floor.
- Kitchens and bathrooms should also be built of the sub-floor (see Monarfloor Generic Kitchen & Bathroom Detail Drawing).
- Ensure the correct mineral wool insulation has been packed tightly between the floor joists.

Care of materials

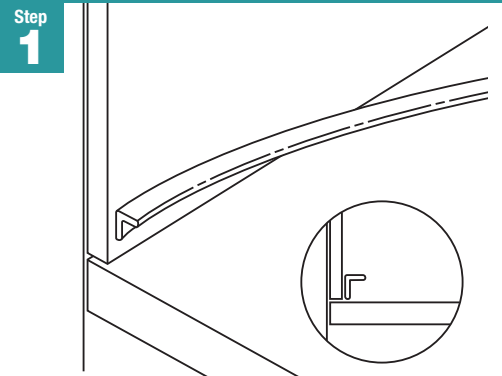
Materials must be kept in a dry storage area at all times.

Working safely

Working on any building site can be a hazardous activity. Only suitable persons having appropriate competence, training and physical fitness should be allowed onsite.

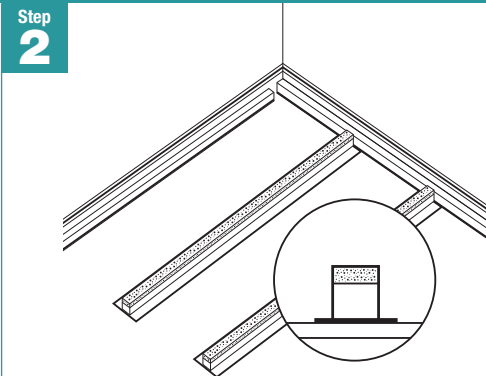
Personal Protective Equipment (PPE) must be worn at all times.

Installing a Monarfloor® Acoustic Tri-Batten



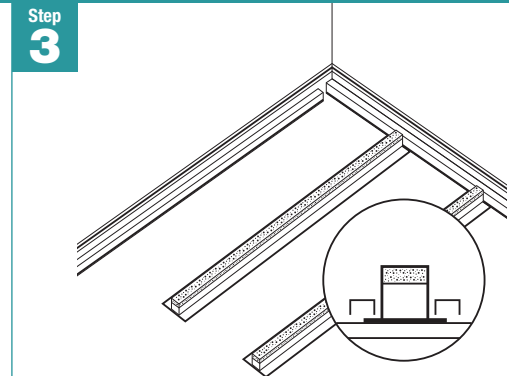
Flank all the perimeter with Monarfloor® Flanking Band.

Note: For every 1m² of flooring you will need 1 linear metre of Monarfloor® Flanking Band.



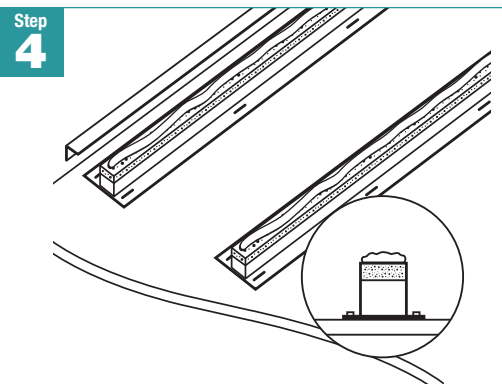
Lay a continual run of Monarfloor® Acoustic Tri-Batten foam side up 50mm from the perimeter.

In-fill with Monarfloor® Acoustic Tri-Batten, foam side-up, laid over the existing sub-floor at 400mm (maximum) centres.

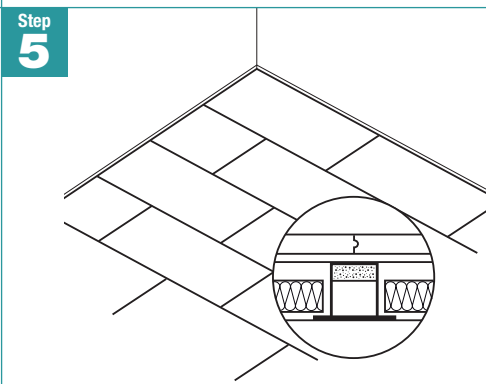


Fix Monarfloor® Acoustic Tri-Battens into position by stapling through the geotextile isolation mat to the sub-floor.

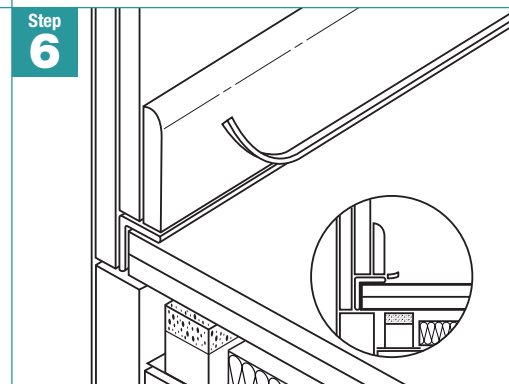
Lay mineral wool quilt between the battens – 13mm (minimum) 33-36kg/m³ or 25mm (minimum) 10-36kg/m³



Apply Monarfloor® Adhesive to the top foam surface of the Acoustic Tri-Batten.



Overlay the Acoustic Tri-Battens with 13.5kg/m² plank and an 18mm or 22mm tongue and groove chipboard deck laid in a broken bond pattern with all joints staggered, supported and glued with Monarfloor® Acoustic Adhesive.



When the deck is fully laid install skirting and trim off excess Monarfloor® Flanking Band.

Where specified install the appropriate acoustic ceiling beneath to complete the installation.