

MONARFLOOR® ACOUSTIC DECK OVERLAY SYSTEMS: INSTALLATION INSTRUCTIONS



Before You Start

These instructions applicable to the installation of the following Monarfloor® Acoustic Deck Overlay Systems:

- **Monarfloor® Deck 9**
- **Monarfloor® Deck 18**
- **Monarfloor® Deck 22**

Tools & equipment required

- 1 litre of Monarfloor® Acoustics Adhesive for every 21.5m² of deck (approx).
- Note:** Adhesive should be applied in well vented rooms.
- 1 linear metre of Monarfloor® Flanking Band for every 1m² of flooring.
- Utility knife and straight edge.
- Joinery hand/power tools.

Check sub-floor is suitably prepared

- Ensure the surfaces are structurally sound, clean and dry.
- All internal partitions should be installed and built of the sub-floor.
- Kitchens and bathrooms should also be built of the sub-floor (see Monarfloor Generic Kitchen & Bathroom Detail Drawings).
- Ensure the correct mineral wool insulation has been packed tightly between the floor joists.

Care of materials

Materials must be kept in a dry storage area at all times.

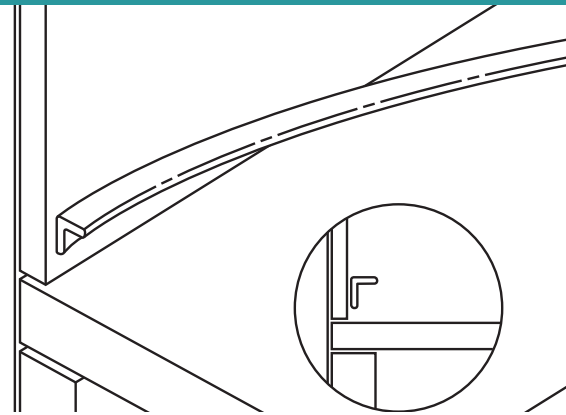
Working safely

Working on any building site can be a hazardous activity. Only suitable persons having appropriate competence, training and physical fitness should be allowed onsite.

Personal Protective Equipment (PPE) must be worn at all times.

Installing a Monarfloor® Acoustic Deck Overlay System

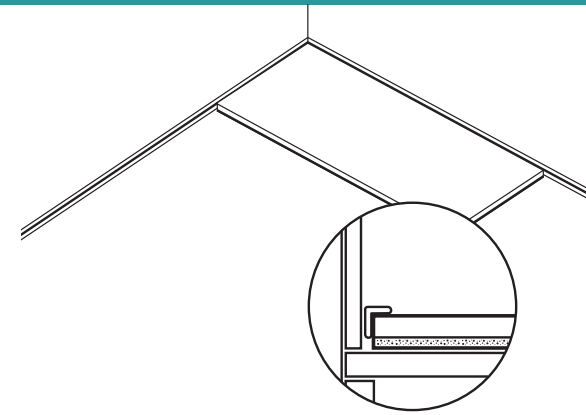
Step
1



Flank all the perimeter with Monarfloor® Flanking Band.

Note: For every 1m² of flooring you will need 1 linear metre of Monarfloor® Flanking Band.

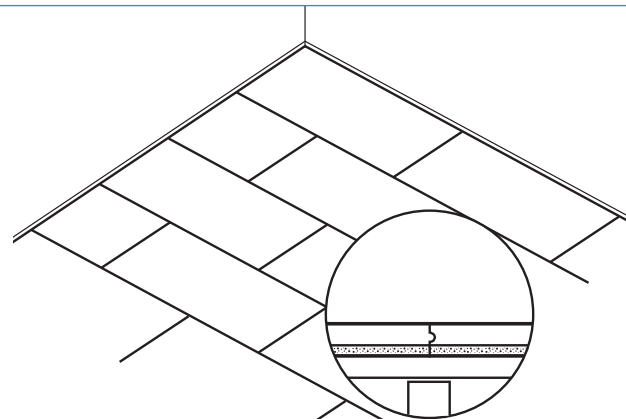
Step
2



Starting from the furthest point out of each room, lay the first Monarfloor® Acoustic Deck over the sub-floor perpendicular to the floor joists, butting the edges tight to the Monarfloor® Flanking Band.

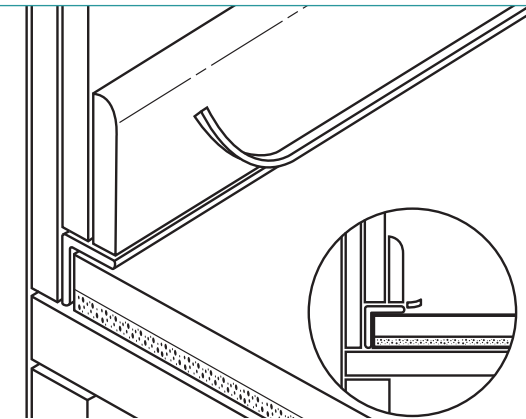
Apply Monarfloor® Adhesive to tongue and groove panel joints

Step
3



Continue to lay the Monarfloor® Acoustic Deck over the existing floor in a broken bond pattern, applying Monarfloor® Adhesive to all tongue and groove panel joints.

Step
4



When the floor is fully covered install skirting and trim off excess Monarfloor® Flanking Band.

Where specified install the appropriate acoustic ceiling beneath to complete the installation.