

MONARFLOOR® ACOUSTIC STRIP: INSTALLATION INSTRUCTIONS



Before You Start

These instructions are applicable to the installation of Monarfloor® Acoustic Strip.

Tools & equipment required

- 1 litre of Monarfloor® Acoustics Adhesive for every 21.5m² of deck (approx).
- Note:** Adhesive should be applied in well vented rooms.
- 1 linear metre of Monarfloor® Flanking Band for every 1m² of flooring.
- Utility knife and straight edge.
- Staple gun/staples.
- Joinery hand/power tools.

Check sub-floor is suitably prepared

- Ensure the surfaces are structurally sound, clean and dry.
- All internal partitions should be installed and built of the sub-floor.
- Kitchens and bathrooms should also be built of the sub-floor (see Monarfloor Generic Kitchen & Bathroom Detail Drawings).

Care of materials

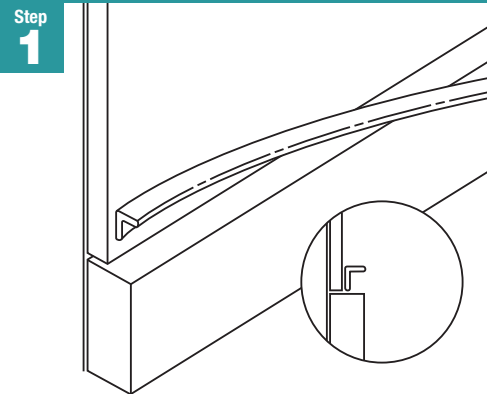
Materials must be kept in a dry storage area at all times.

Working safely

Working on any building site can be a hazardous activity. Only suitable persons having appropriate competence, training and physical fitness should be allowed onsite.

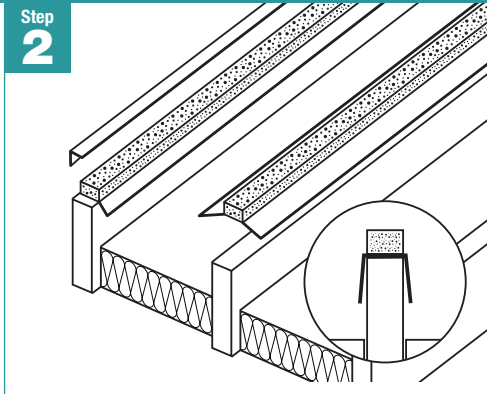
Personal Protective Equipment (PPE) must be worn at all times.

Installing a Monarfloor® Acoustic Strip

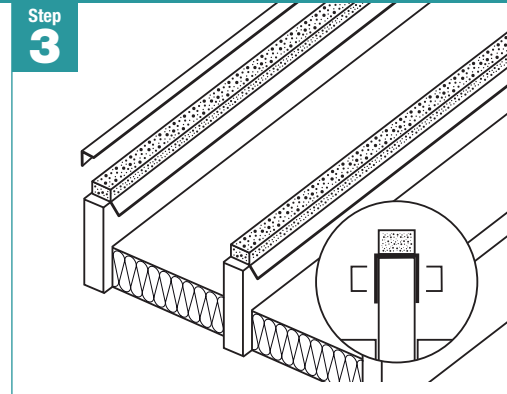


Flank all the perimeter with Monarfloor® Flanking Band.

Note: For every 1m² of flooring you will need 1 linear metre of Monarfloor® Flanking Band.

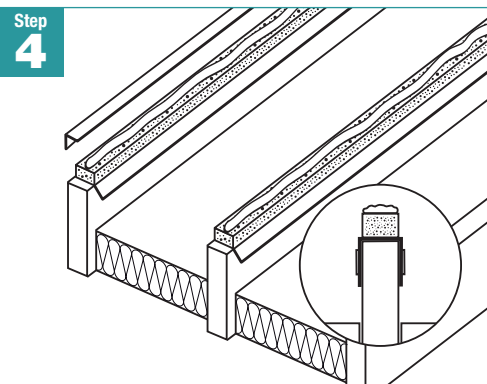


Lay Monarfloor® Acoustic Strip foam side-up over the exposed floor joists.

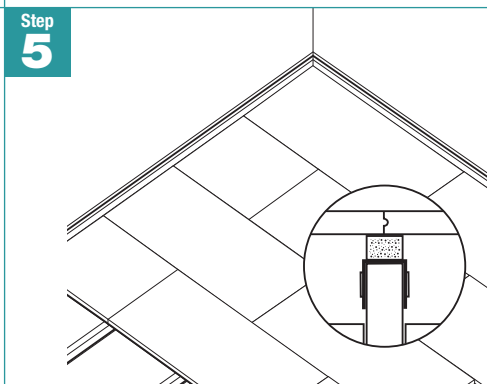


Fix Monarfloor® Acoustic Strip into position by stapling or nailing through the geotextile isolation mat to the side of the joists.

Note: Ensure the correct mineral wool insulation has been packed tightly between the floor joists.

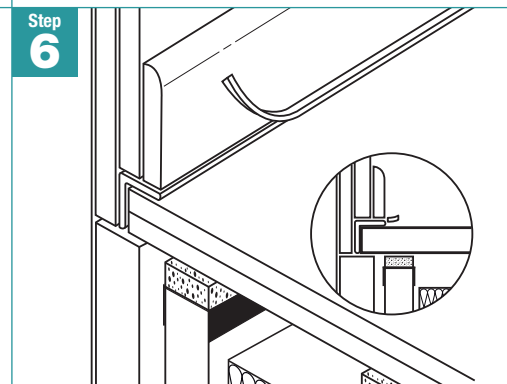


Apply Monarfloor® Adhesive to the top foam surface of the acoustic strip.



Overlay 18mm or 22mm tongue and groove chipboard deck laid in a broken bond pattern with all joints supported and glued.

Note: Where required ensure the Gypsum plank is installed prior to the chipboard.



When the deck is fully laid install skirting and trim off excess Monarfloor® Flanking Band.

Where specified install the appropriate acoustic ceiling beneath to complete the installation.