

MONARFLOOR® WALL CAP – LAMATHERM: INSTALLATION INSTRUCTIONS



Before You Start

These instructions are applicable to the installation of Monarfloor® Wall Cap – Lamatherm.

Before starting installation ensure that Monarfloor® Bridgestop® has been incorporated in the usual manner.

Tools & equipment required

- Utility knife and straight edge capable of cutting the material.

Care of materials

Materials must be kept in a dry storage area at all times.

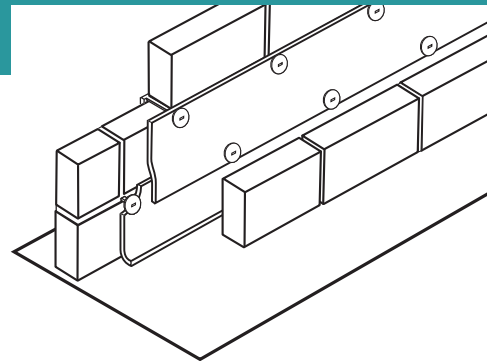
Working safely

Working on any building site can be a hazardous activity. Only suitable persons having appropriate competence, training and physical fitness should be allowed onsite.

Personal Protective Equipment (PPE) must be worn at all times.

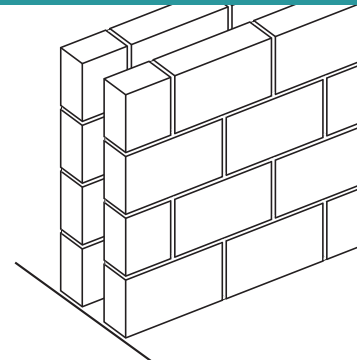
Installing a Monarfloor® Wall Cap – Lamatherm

Step 1



Ensure that Monarfloor® Bridgestop® has been incorporated in the usual manner.

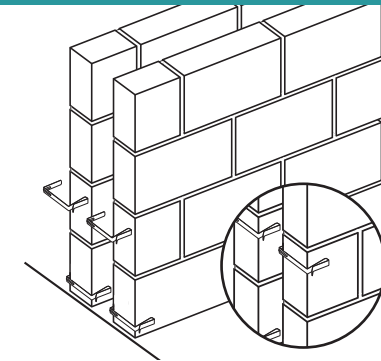
Step 2



Set out and build the party wall to desired height (or 900mm high) to suit the build but **do not** bring through the flanking walls.

Note: It is good practice to form a vertical timber formwork at both ends of the party wall as a guide. Mesh reinforcement or wall ties can be located at every second course at the party/flanking wall junction.

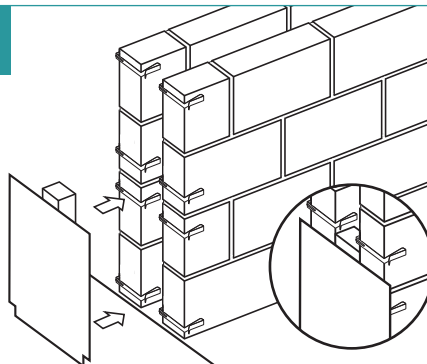
Step 3



Once the party wall has been built install the Wall Cap – Lamatherm by firstly locating Wall Cap clips at approximately 460mm centres over the blocks to each leaf up the entire height of the party wall.

Note: This operation can be carried out as each lift is being built dependant on sequencing.

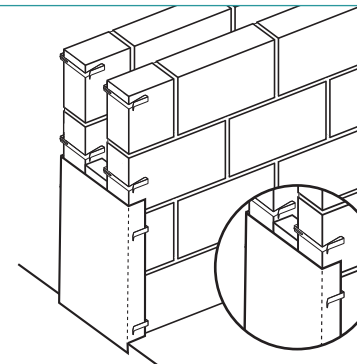
Step 4



Insert the Wall Cap – Lamatherm, into the cavity ensuring the mineral wool bat is tight within the cavity.

Note: If required cut the membrane to accommodate any tying in a party wall to flanking wall.

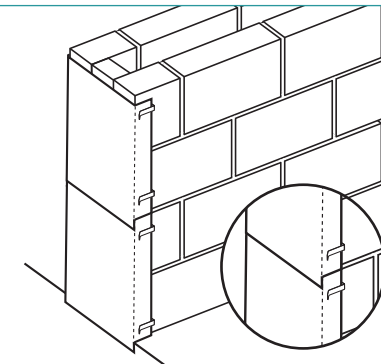
Step 5



Return the Wall Cap – Lamatherm membrane and locate within the Wall Cap clips to retain it in position.

Note: For aircrete blocks the membrane can be nailed, therefore no clips are required.

Step 6



Ensure the Wall Cap – Lamatherm membrane is overlapped vertically at joints at secured with additional Wall Cap clips if necessary.

Once the Wall Cap – Lamatherm has been installed, continue the build, bring through the flanking walls and tie them into the separating party wall in the usual manner.