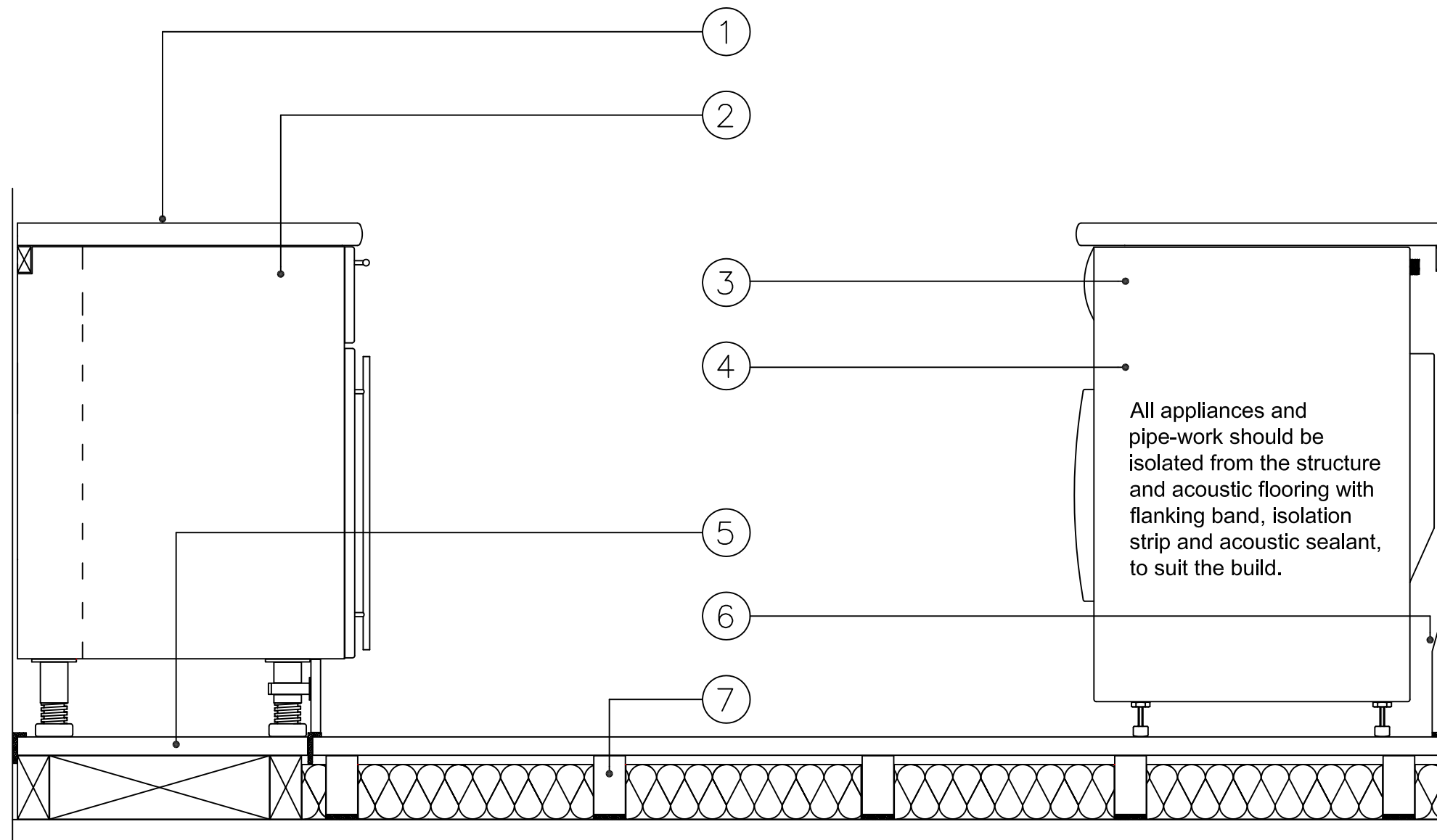


Kitchen Detailing with Acoustic Floating Floor

Detailing dependant on floor build-up and full specification refer to Monarfloor Technical for specific detailing or assistance

This detailed drawing is to recommend the correct procedures for installing MONARFLOOR products. All other building details are shown indicatively and are not to be used for building construction



All appliances and pipe-work should be isolated from the structure and acoustic flooring with flanking band, isolation strip and acoustic sealant, to suit the build.

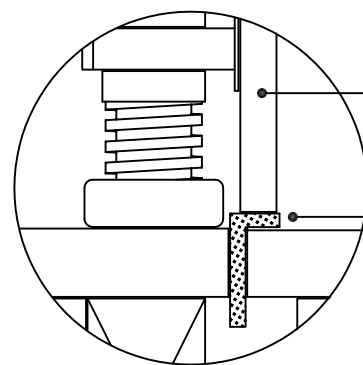
Key Notes:

- ① Work-top isolated from structure with isolation band or isolation strip and cut flush prior to tiling
- ② Kitchen units built off sub-floor or plinth to accommodate increase in floor height due to acoustic floating floor
- ③ Free-standing appliances can be stood on the acoustic floating floor, to reduce vibration site the appliance legs on rubber matting. For built-in appliances follow the kitchen unit detailing
- ④ Ensure height from top surface of the acoustic floor to the underside of the work surface can accommodate the kitchen appliances sufficiently
- ⑤ Kitchen units built off plinth or sub-floor at level to line through with the acoustic floating floor. Kitchen units must be isolated from the structure.
- ⑥ Monarfloor® Flanking Band isolating the floating floor (type dependant on detailing & specification)
- ⑦ Monarfloor® Acoustic Floating floor laid over structural sub-floor, detailing dependant on build and acoustic system (refer to Monarfloor Technical Department)

Construction Note:

Flanking strip must be installed around the perimeter of the room between the Acoustic Floor, walls and any supporting plinths & returned under any skirting / wall linings.

Detailing between kitchen unit, timber plinth & Acoustic Floor



- A Kitchen Unit kicker fixed and isolated from the Acoustic Floor with flanking band.
- B Flanking band isolating kicker & Acoustic Floor

© THIS DRAWING AND DESIGN THEREIN IS THE EXCLUSIVE PROPERTY OF ICOPAL – MONARFLOOR ACOUSTIC SYSTEM. IT SHOULD NOT BE COPIED OR REPRODUCED WITHOUT CONSENT AND SHALL BE USED ONLY IN REFERENCE TO MATERIALS OR GOODS SUPPLIED BY THEM.

This drawing has been prepared for general information purposes only. (Do not scale)

Project: Generic Floating Floor Detailing

Title: Kitchen & Appliance Detailing with Monarfloor Acoustic Battens

Monarfloor® Acoustic Systems 

Drawn: LN Scale: NTS

Date: July 2009

ICO1750 -issue 2