

## Monarfloor® Wall Cap 400 System

**Acoustic isolation and energy insulating system for separating party cavity walls within multi-rise developments.**

Monarfloor® Wall Cap 400 isolates the load-bearing leaves from the precast floor plank, reducing the acoustic flanking sound transmission within the structure. Monarfloor® Wall Cap 400 also ensures the integrity of acoustic treatments for party walls and floors.

### Features and Benefits

- Isolates the precast floor plank from the load bearing party wall.
- Reduces the flanking sound transmission energy within the structure.
- Superior acoustic isolation and damping performance.
- Can be used as an isolator / innovative flanking detail with any acoustic flooring treatment.
- Easily installed within current standard wall constructions.
- Significantly improves the acoustic isolation of the building when used in conjunction with other Monarfloor® acoustic systems for party walls and floors.
- Ensures the robustness of other acoustic systems for party walls and party floors.
- Demonstrates a significant cost saving and flexibility in the design and build of the building.
- Surpasses performance requirements of Approved Document E of the Building Regulations.
- Can be used to improve the acoustic performance and gain credits towards The Code for Sustainable Homes.
- 3-4 cost-neutral credits for the code for Sustainable Homes when used with other Monarfloor acoustic systems based on PCT test evidence (200mm floor planks required for 4 credits).

### System Kit

Monarfloor® Wall Cap 400 is available as a system kit comprising 1 roll of Wall Cap membrane and 30 Wall Cap clips.

### Product Data

<b>Composition</b>	Wall Cap Membrane – Bitumen composite with acoustically rated fillers and fire retardant. Wall Cap Clips – Structural grade galvanised steel.
<b>Sizes</b>	Wall Cap Membrane – 400mm wide x 8m long x 3.5mm thick rolls. Wall Cap Clips – 15mm wide x 104.9mm long x 75mm deep.
<b>Kit Weight</b>	16kg



**Wall Cap Clips** – retains the Wall Cap Membrane securely into place.



### Installation

See over for details.

## Monarfloor® Wall Cap 400 System

### Installation at a glance

- Build the load-bearing party walls to the desired height.
- Locate Wall Cap clips equally at approximately 600mm centres on both masonry leaves along the length of the party cavity wall.
- Roll Wall Cap 400 membrane over the full length of the prepared cavity wall, return the overhangs down the face of the masonry blocks and clip into the Wall Cap clips.
- For jointing and detailing, butt the Wall Cap membrane tight and locate further Wall Cap clips at these junctions.  
*Wall Cap 400 should be used for cavity walls and Wall Cap 200 for flanking walls.*
- Once the floor planks are fully installed, proceed to build the party and flanking walls.
- All wall/floor junctions must be isolated in the same manner as the build continues upwards.
- Wall Cap 400 membranes can be overlapped where necessary.

*For optimum acoustic isolation, the party cavity wall should have Monarfloor® Bridgestop® built in at every storey and flanking walls isolated from the precast floor slab with Monarfloor® Isolation Strip.*

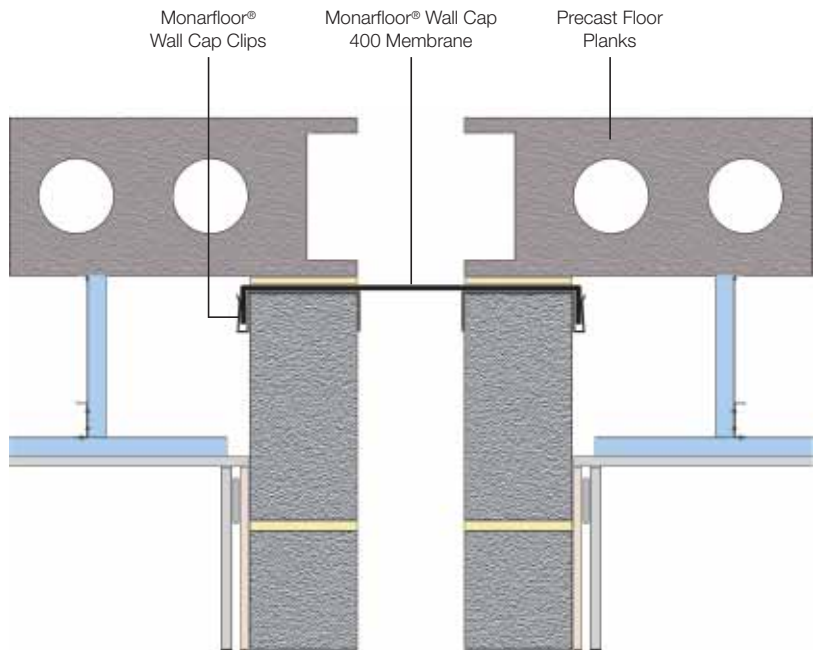
### Related Products

- **Monarfloor® Wall Cap 200 System** – acoustic isolation system for separating flanking walls within multi-rise developments.
- **Monarfloor® Bridgestop® System** – acoustic isolation system for party walls on raft foundations or continual slab.
- **Monarfloor® Tranquilt® System** – lightweight acoustics isolation system for robust under screeds.

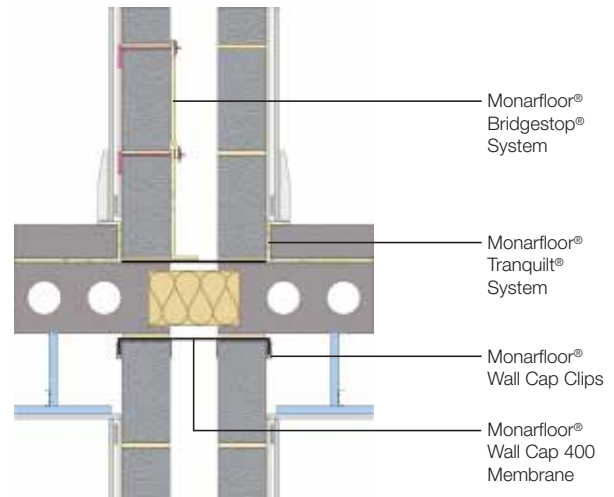
*For full details refer to individual Monarfloor® Product Data Sheets.*

#### Icopal Limited

Barton Dock Road, Stretford, Manchester M32 0YL  
Telephone: 0161 866 6540  
Fax: 0161 866 6527  
Email: [acoustics.uk@icopal.com](mailto:acoustics.uk@icopal.com)



**Monarfloor® Wall Cap 400 System installed on a cavity wall.**



**Monarfloor® general detail showing 3-4 credit solution for the Code for Sustainable Homes (using 200mm precast planks).**

### Technical Support

Monarfloor® Acoustic Systems offers FREE technical advice and assistance on all aspects of acoustic systems.

We can also undertake site visits to provide contractors with advice and assistance at every stage of a project from concept to completion.

NOTE: This information is given in good faith being based on the latest knowledge known to Monarfloor® Acoustic Systems. Whilst every effort has been made to ensure the contents of the publication are current while going to press, customers are advised that products, techniques and Codes of Practice are under constant review and liable to change without notice. Up to date information is available from our Technical Services Department on request.

Responsibility cannot be accepted for the application of products, and no claims can be considered, where the manufacturer's instructions have not been followed. The user should not assume; based on information provided in this sheet, that the product is suitable for any abnormal use.

All products are sold subject to our standard terms and conditions of sale, a copy of which is available on request.